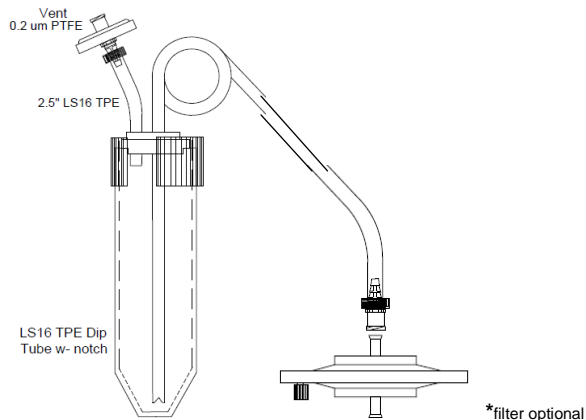


OPTI-Tube Sampling

FLEXIBLE - ALLPURPOSE - STERILE



For additions, sampling and research scale filtration, suitable for both upstream and downstream applications. Sterile by E Beam

Description

OPTI-Tube is a single use device for cell culture sampling. OPTI-Tube allows easy sterile access for small volume sterile handling while maintaining a sterile environment. Standard centrifuge tubes commonly used in the laboratory may be enhanced by integrating ports and venting into their caps. These features then facilitate the use for various other applications like filtration, storage, sampling and additions. OPTI-Tube style caps can also be added to any 15ml or 50ml available centrifuge tube containers commonly found in the lab i.e. Corning®, Nalgene or other manufacturer's.

Procedure

Remove from sterile bag and use. It is recommended that a laminar flow hood environment if a tubing welder is not available.

Packaging

OPTI-Tubes are packaged individually or in bulk, and available irradiated by e-beam.

Filter Type 0.2um PTFE vent, D65mm 0.2u PES aqueous

Dual Port Cap 1/8" HB

Configurations 50ml Centrifuge Tube

Materials Cap: Polypropylene
Tube: Polypropylene
Tubing: weldable TPE

Sterilization E-Beam or Gamma at 25 kGy
Autoclavable

Capacity 15ml - 50L

Temperature range -65°C to + 40°C

Applications Mini-Production, Process Development, Sampling, Additions, Seeding, Transfers, Cell Banking, Stem Cells Manipulation, Transfections, Transduction, Whole Blood, Binding Experiments for Chromatography Media, C.S.I. Bioburden & Contamination Control of Specimens

Features

- All OPTI-Tube products can be provided irradiated or non-irradiated.
- OPTI-Tube has weldable tubing which eliminates the need to remove caps during sampling.
- Enables maintenance of a "closed system" during sample manipulation.
- Dip tube allows for maximum recovery of fluids.
- Suitable for low pressure, gravity feed or pump transfer of media and buffers.

Ordering Information:

OPTI-Tube 15	92-015-CNT-100-S-E	100
OPTI-Tube 50 + Filter	92-050-CNT-001-0.2-E	10
OPTI-Tube 50 for Sampling	92-050-CNT-001-NF	50



**OPTIMUM
PROCESSING, INC.**
Novel filtration
& single use solutions.